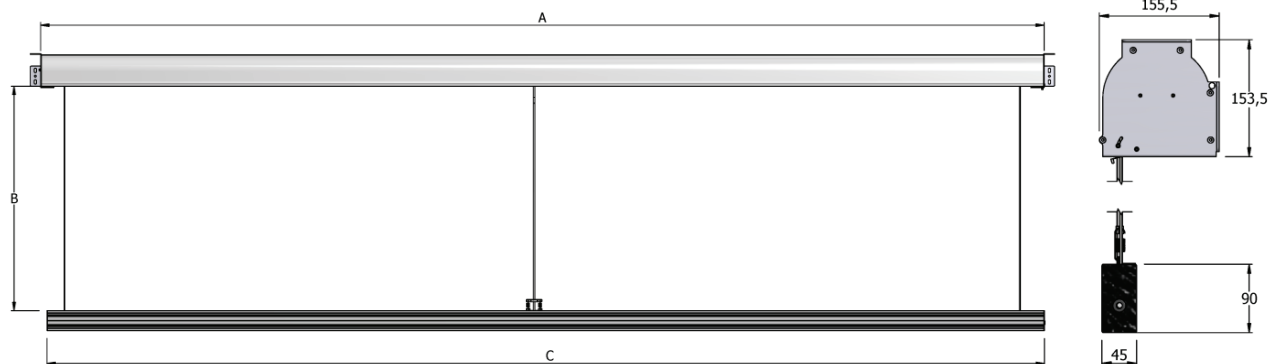


## LIFTSCREEN

### Elevator for Motorized Screens

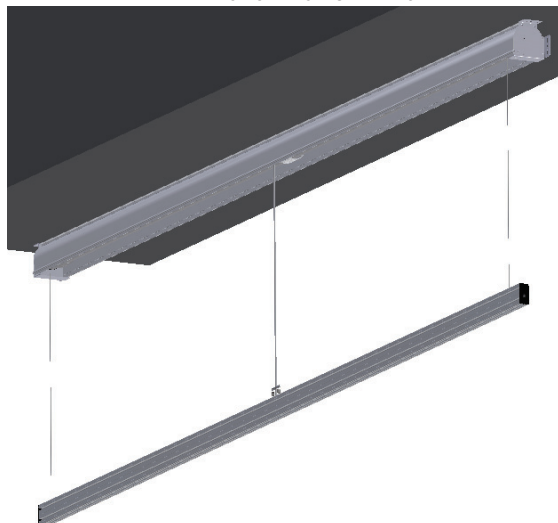
## LIFTSCREEN Elevator for Motorized Screens

- ✓ Powder-coated aluminum case in white (RAL9016) or black (RAL9005), with lower part opened.
- ✓ Case with flat iron end caps.
- ✓ Comply with directives: Low Voltage Directive 2006-95-CE and Electromagnetic Compatibility 2004-108-CE.
- ✓ Kit with wall and ceiling mount brackets included.
- ✓ Wall switch included.
- ✓ Multilingual instruction manual included.



DESCRIPTION	LIFTSCREEN 2500	LIFTSCREEN 3500	LIFTSCREEN 4500
A Casing Width	2500 mm	3500 mm	4500 mm
B Cables Height	Up to 4000 mm		
C Bar Width	2500 mm	3500 mm	4500 mm
RETAIL PRICE	2040 €	2095 €	2225 €

ON-CEILING INSTALLATION



ON-WALL INSTALLATION

