

SONY



Bring  
Spectacular  
Home

Home Cinema Projector 2020/2021



**A Game Changer in HDR Projection**  
See the bigger picture with 4K HDR, for the ultimate immersive big screen experience at home.



### Sony's Premium Flagship

VPL-GTZ380



Laser powered 10,000 lm brightness with 100% DCI-P3 color gamut  
Native 4K resolution (4096 x 2180)  
X1™ Ultimate for projector



### Most Affordable Premium Compact 4K Laser

VPL-VW790ES



Laser powered 2,000 lm brightness  
Native 4K resolution (4096 x 2180)  
Dynamic HDR Enhancer with X1™ for projector



### Highest Quality of Native 4K Lamp

VPL-VW590ES



1,800 lm brightness  
Native 4K resolution (4096 x 2180)  
Dynamic HDR Enhancer with X1™ for projector

2020  
NEW

# The world's most advanced Compact 4K SXRD™ 10,000lm Laser Projector



**4K HDR** SXRD  
**Z-Phosphor**  
 LASER LIGHT SOURCE  
**X1**  
 Ultimate  
 for projector

Laser

4K HDR

10,000 lm

The Sony VPL-GTZ380 is the world's most advanced projector designed for large home cinemas to bring a true theater experience home. An exceptional 10,000 lumens of brightness with 100% DCI-P3 wide color gamut is perfect for the largest and most lavishly equipped home cinema rooms and well-lit living spaces alike. The VPL-GTZ380 brings movies to life with strikingly expressive images that deliver an unforgettable viewing experience, for whatever you're watching.



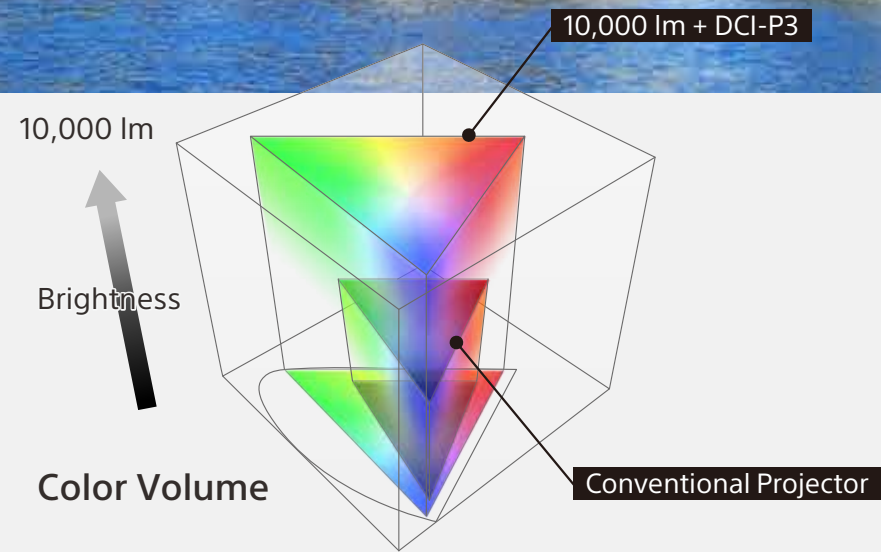
Watch sports, games and movies on a wall-sized screen with family and friends, in a home theater, media room or living room and enjoy the content as if you were there in person.



Conventional projector

Conventional projector

**High brightness (10,000lm) and 100% wide color space (DCI-P3)** deliver the most immersive experience



### **“X1™ Ultimate for projector”**

Sony’s advanced signal processing technology brings more image details.

## Spectacular Brightness and Native 4K Clarity for Large Home Cinemas



**4K HDR** **SXR**  
**Z-Phosphor** **IMAX**  
LASER LIGHT SOURCE ENHANCED

Laser

4K HDR

5,000 lm

VPL-VW5000ES is an advanced 4K laser projector with 5,000 lumens of brightness, designed for large home cinemas. Combine HDR compatibility with the ability to simulate the BT2020 color gamut on top of the full DCI color space, it delivers exceptional cinematic details and an experience that brings true-to-life 4K viewing home.

## Home Cinema Entertainment at its Very Finest



**4K HDR** **SXR**  
**Z-Phosphor** **IMAX**  
LASER LIGHT SOURCE ENHANCED

Laser

4K HDR

2,200 lm

Watch movies with the compact VPL-VW870 Laser Home Cinema Projector and bring the theater experience home. 2,200 lumens of brightness powerfully deliver stunning clarity, achieving an extraordinary level of picture performance even in larger home cinema rooms. You'll experience fabulously rich cinematic colors, smooth motion and spectacular contrast.

2020  
NEW

## Most Affordable Premium Compact 4K Laser



**4K HDR** **SXR**  
**Z-Phosphor**  
 LASER LIGHT SOURCE  
**X1**  
 for projector

Laser

4K HDR

2,000 lm

An ideal choice to fit in your theater room. The VPL-VW790ES, with Dynamic HDR Enhancer and Digital Focus Optimizer functions, brings movies to life with extraordinary cinematic detail, color, and contrast that you'd expect from a much bigger, more costly projector. Savor the action with 2,000 lumens of brightness, delivered by the long-lasting laser light source, and see vibrant images in dark or well-lit rooms.



2020  
NEW



4K HDR

1,800 lm

## Bring Incredible HDR Experience to Your Favorite Movies

Experience the beauty of Native 4K HDR images with the new Sony VPL-VW590ES Home Cinema Projector, packed with 1,800 lumens of brightness, Dynamic HDR Enhancer and Digital Focus Optimizer functions. Designed for your home theater room and living room, this compact projector provides an immersive home theater experience with stunning detail and rich, faithful color that make you feel as though you're right in the middle of the action.





4K HDR

1,500 lm

## See the Big Picture in True 4K HDR

The VPL-VW270ES Native 4K Home Cinema Projector with 1,500 lumens brightness brings entertainment beautifully to life with 4K HDR picture quality in every living space. This model's great value lets you take full advantage of the latest content with impressive sharpness and vivid color, whether you're watching sports, enjoying movies, or playing games.



## Turn Any Room Into a Home Theater Instantly



Laser

4K HDR

2,500 lm

This ultra-short throw 4K HDR home cinema projector VPL-VZ1000ES provides an immersive experience with more than 100" of 4K HDR picture quality even in places where projection may not previously have been possible. You can turn any room into a home theater, simply by placing it next to a wall. Designed for style and built for flexibility, it puts no limits on the design or layout of your home and lets you live the dream of having a large screen display on your terms.



Full HD

1,800 lm

## Get Closer to a Real Cinema Experience

Movies come alive with the VPL-HW65ES full HD Home cinema projectors, packed with Sony's latest technology for an incredibly sharp, crystal-clear cinematic experience at home. The vibrant images make every scene spring to life with fine detail and realism.

Full HD  
1080



## Sony Home Cinema Projector Lineup

	4K HDR LASER PHOSPHOR PROJECTOR				4K HDR LAMP PROJECTOR		4K HDR LASER ULTRA SHORT THROW PROJECTOR	FULL HD LAMP PROJECTOR
	NEW			NEW	NEW			
								
Model	VPL-GTZ380	VPL-VW5000ES	VPL-VW870ES	VPL-VW790ES	VPL-VW590ES	VPL-VW270ES	VPL-VZ1000ES	VPL-HW65ES
Brightness	10,000 lm	5,000 lm	2,200 lm	2,000 lm	1,800 lm	1,500 lm	2,500 lm	1,800 lm
Picture Engine	X1™ Ultimate for projector	-	-	X1™ for projector	X1™ for projector	-	-	-
Dynamic HDR Enhancer	Yes	-	-	Yes	Yes	-	-	-
Resolution	4K	4K	4K	4K	4K	4K	4K	FHD
Lens (Bundled)	ARC-F Lens	ARC-F Lens	ARC-F Lens	Standard 4K Lens	Standard 4K Lens	Standard 4K Lens	Ultra Short Throw	Standard HD Lens
Dynamic Contrast	∞:1	∞:1	∞:1	∞:1	350,000:1	-	∞:1	120,000:1
Color space	DCI-P3 Triluminos™ Display	DCI-P3 Triluminos™ Display	Triluminos™ Display	Triluminos™ Display	Triluminos™ Display	Triluminos™ Display	Triluminos™ Display	-
Picture Position	Yes	Yes	Yes	Yes	Yes	-	-	-
Replacement Lamps	-	-	-	-	LMP-H280	LMP-H220	-	LMP-H210
Accessories Lens (Optional)	VPLL-Z8008 (Short throw)	VPLL-Z7008 (Short throw)	VPLL-Z7008 (Short throw)	-	-	-	-	-



X1™ Ultimate/X1™ for projector takes our acclaimed BRAVIA TV video processing and optimizes it for projection. The incredible power of this video engine enables prodigious data processing, with real-time enhancement for each individual on-screen object. The result is true high dynamic range imagery, with texture, color, contrast and realism never before available to home cinema.



**Dual Database Processing**

Two powerful image improvement databases work together to dynamically improve pixels in real-time for image clarity.



**Object-based HDR Remaster**

Individual objects on screen are analyzed and the contrast adjusted, to reproduce greater depth and textures, and more realistic pictures.



**Digital Contrast Optimizer**

The image contrast is optimized by analyzing each scene in advance to deliver inky blacks and superb shadow details.



**X1™ Ultimate for projector**

- Features included:**  
 Object-based HDR remaster  
 Dynamic HDR Enhancer  
 Object-based Super Resolution  
 Dual database processing  
 Digital Contrast Optimizer

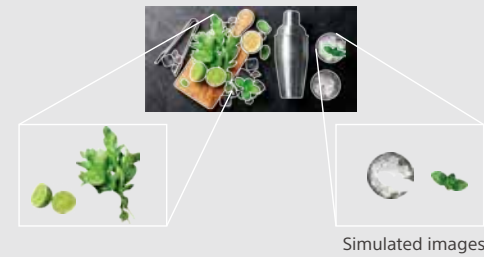
**Model:**  
 VPL-GTZ380



**X1™ for projector**

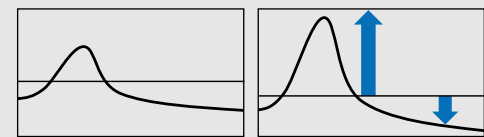
- Features included:**  
 Dynamic HDR Enhancer  
 Super Resolution

**Model:**  
 VPL-VW790ES  
 VPL-VW590ES



**Object-based Super Resolution**

Hundreds of objects are identified and their resolution is individually enhanced to give a picture of exceptional accuracy and detail.



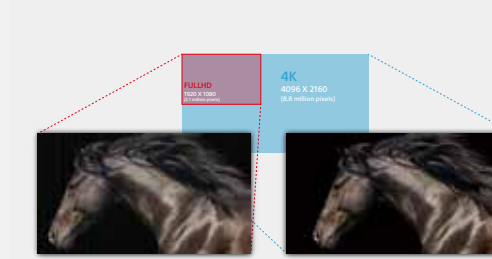
**Dynamic HDR Enhancer**

Deliver the optimal projected HDR experience through Sony's advanced scene by scene HDR processing. Achieve striking highlights whilst maintaining deep black levels.

The advanced SXRD (Silicon X-tal Reflective Display) panel technology featured in Sony's home cinema projectors delivers native 4K-resolution (4096 x 2160) images with 8.8 million pixels for an incredibly lifelike picture. SXRD projection offers rich, inky blacks as well as clear cinematic motion and image smoothness, and can reproduce vibrant colors with more tones and textures than a standard projector system. With high resistance to heat and light, it ensures spectacularly stable brightness.



**Native 4K Panel**  
 4096 x 2160  
 (8.8 million pixels)



Simulated images

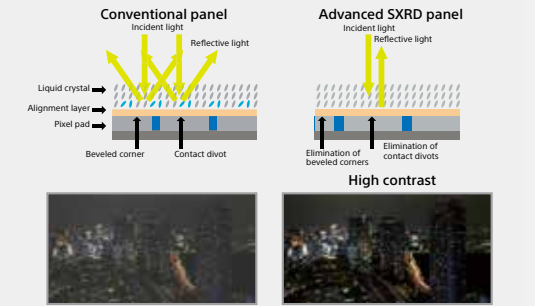
**High Resolution**

Native 4K offers 8.8 million pixels (4096x2160) for a picture that's so incredibly lifelike.



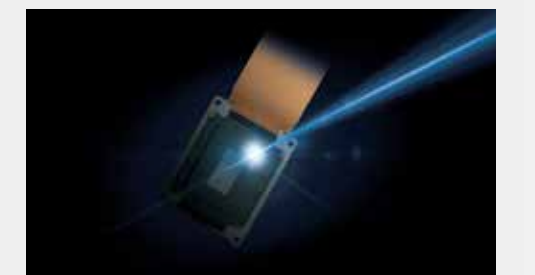
**High Resolution**

3-chip design that uses a single LCOS chip for each of the primary colors (red, green and blue) to offer true-to-life colors and tones.



**High Contrast**

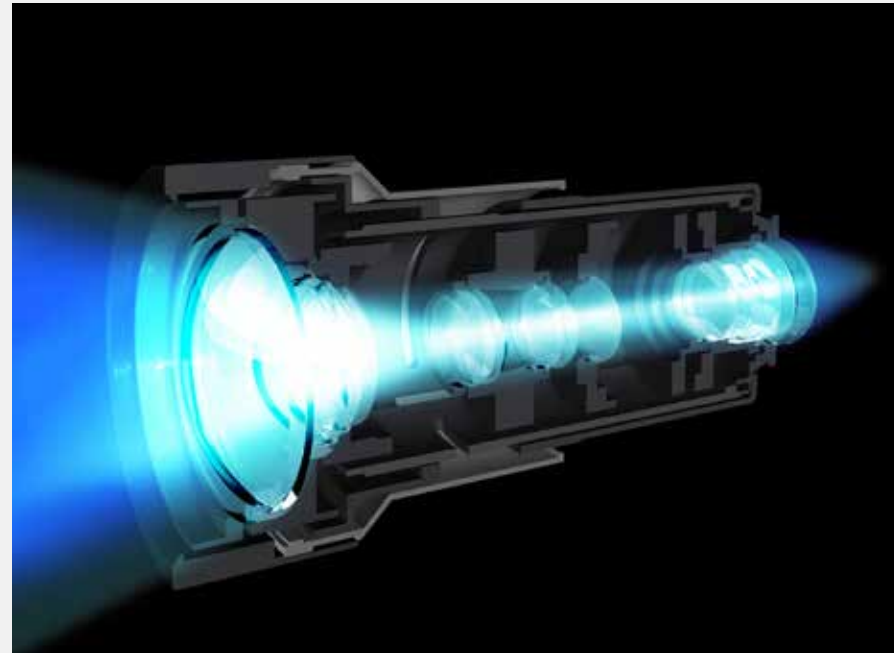
The reflective silicon layer provides better light control, for precisely delivered shadows and blacks.



**Super Light-resistance**

The small format 0.74" SXRD panel is used in Sony's 4K projector to deliver native 4K. With super light-resistance, it spectacularly achieves 10,000 lm\* with such a small panel.  
 \*VPL-GTZ380

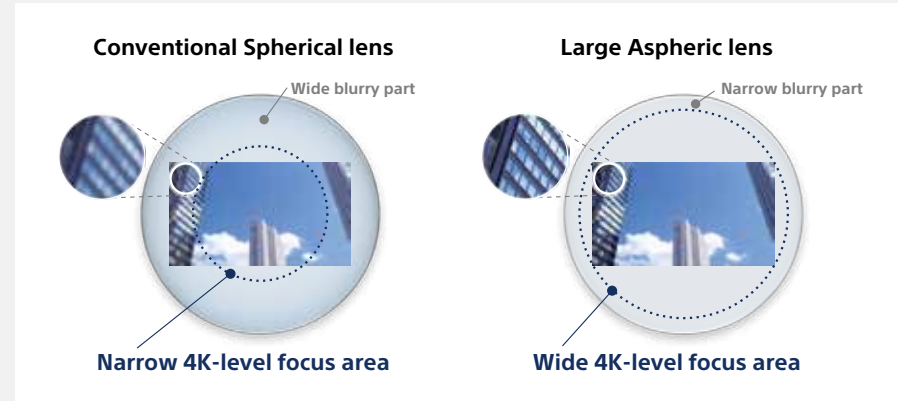
Corner-to-corner sharpness with the ARC-F lens



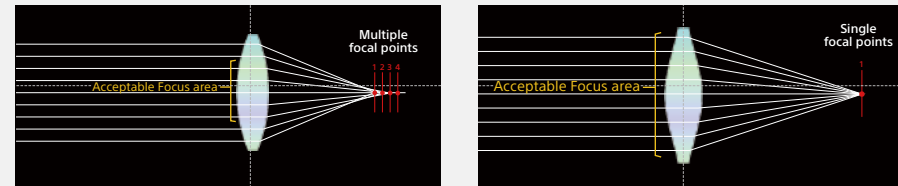
For pristine image quality across the entire screen, Sony's projectors\* feature an All-Range Crisp Focus (ARC-F) lens. This large-aperture lens adopts an all-glass design for its 18 elements, including six Extra Low-Dispersion (ELD) elements. This ensures optimal convergence of the red, green and blue primaries even at the extreme edges of the image, for a clear and vivid image wherever you look.

\*Available model: VPL-GTZ380, VPL-VW5000ES, VPL-VW870ES.

Aspherical lens shows even better focus in corners.



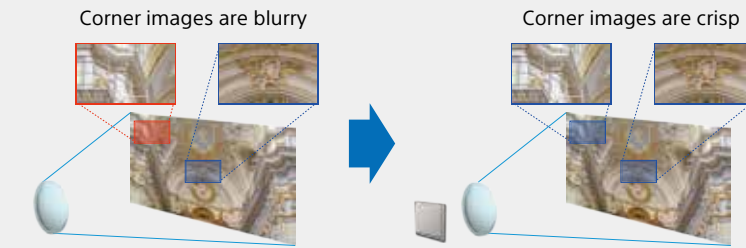
Simulated images



The primary projection lens features a large diameter aspherical element for corner-to-corner sharpness.

VPL-GTZ380/VW5000ES/VW870ES/VW790ES/VW590ES

Digital Focus Optimizer



Simulated images

Optimum focus is achieved not only optically, but also digitally. By analyzing every pixel of the images with our own algorithm and detecting possible degradation in advance, the Digital Focus Optimizer performs optimum image quality correction so that the focus is better than ever, even in the corners.

VPL-VW5000ES/VW870ES/VW790ES

Dual Contrast Control



Both the iris control and laser can be adjusted independently and dynamically, to optimize light output for both dark scenes, and those with high contrast. The result is deeper blacks than ever, as infinite dynamic contrast makes every scene spring to life with detail and realism.

VPL-GTZ380/VW5000ES/VW870ES/VW790ES/VW590ES/VW270ES/VZ1000ES

4K Motionflow™



Simulated images

The powerful video processor in the projector offers Motionflow for smooth and clear motion, even when viewing 4K content. 4K Motionflow is best for fast-moving sports content, as it adds frames to reduce blur, while maintaining brightness.

VPL-GTZ380/VW5000ES/VW870ES/VW790ES/VW590ES/VW270ES/VZ1000ES

Input Lag Reduction



Simulated images

Enjoy the latest games lag free on the big screen. All Sony 4K projectors include input lag reduction that enables the players input to be reflected on screen without delay.

VPL-GTZ-380/VW5000ES/VW870ES/VW790ES/VW590ES/VW270ES/VZ1000ES

HDMI 18 Gbps Compatibility

With 4K HDR 60P contents increasing, all Sony 4K models have 18Gbps HDMI bandwidth compatibility for smoother expressions of image gradations.

# SPECIFICATIONS

	VPL-GTZ380	VPL-VW5000ES	VPL-VW870ES	VPL-VW790ES
Display system	4K SXRD panel, projection system	4K SXRD panel, projection system	4K SXRD panel, projection system	4K SXRD panel, projection system
Display device	0.74" x 3	0.74" x 3	0.74" x 3	0.74" x 3
Number of pixels	26,542,080 (4096 x 2160 x 3) pixels	26,542,080 (4096 x 2160 x 3) pixels	26,542,080 (4096 x 2160 x 3) pixels	26,542,080 (4096 x 2160 x 3) pixels
Projection lens	Powered	Powered	Powered	Powered
Focus	Powered	Powered	Powered	Powered (Approx. x 2.06)
Zoom	Powered	Powered	Powered	Powered (Approx. x 2.06)
Lens shift	VPLL-Z8014 (Bundled) : Powered, Vertical: +/- 80 %, Horizontal: +/- 33 % VPLL-Z8008 (Optional) : Powered, Vertical: +/- 50 %, Horizontal: +/- 19 %	VPLL-Z7013 (Bundled) : Powered, Vertical: +/- 80 %, Horizontal: +/- 31 % VPLL-Z7008 (Optional) : Powered, Vertical: +/- 50 %, Horizontal: +/- 18 %	VPLL-Z7013 (Bundled) : Powered, Vertical: +/- 80 %, Horizontal: +/- 31 % VPLL-Z7008 (Optional) : Powered, Vertical: +/- 50 %, Horizontal: +/- 18 %	Powered, Vertical: +85 % -80 %, Horizontal: +/- 31 %
Throw ratio*1	VPLL-Z8014 (Bundled) : 1.49 : 1 to 2.91 : 1 VPLL-Z8008 (Optional) : 0.85 : 1 to 1.09 : 1	VPLL-Z7013 (Bundled) : 1.35 : 1 to 2.90 : 1 VPLL-Z7008 (Optional) : 0.85 : 1 to 1.06 : 1	VPLL-Z7013 (Bundled) : 1.35 : 1 to 2.90 : 1 VPLL-Z7008 (Optional) : 0.85 : 1 to 1.06 : 1	1.38 : 1 to 2.83 : 1
Light source	Laser diode	Laser diode	Laser diode	Laser diode
Recommended lamp replacement time*2	-	-	-	-
Light output	10,000 lm	5,000 lm	2,200 lm	2,000 lm
Dynamic contrast	∞ : 1	∞ : 1	∞ : 1	∞ : 1
Accepted digital signals	720 x 576/50p, 720 x 480/60p, 1280 x 720/50p, 1280 x 720/60p, 1920 x 1080/50i, 1920 x 1080/60i, 1920 x 1080/24p, 1920 x 1080/50p, 1920 x 1080/60p, 3840 x 2160/25p, 3840 x 2160/30p, 3840 x 2160/50p, 3840 x 2160/60p, 4096 x 2160/24p, 4096 x 2160/25p, 4096 x 2160/30p, 4096 x 2160/50p, 4096 x 2160/60p, WUXGA/60p, QXGA/60p, QXGA/120p, WQHD/60p, WQHD/120p, WQXGA/60p, WQXGA/120p	720 x 576/50p, 720 x 480/60p, 1280 x 720/50p, 1280 x 720/60p, 1920 x 1080/50i, 1920 x 1080/60i, 1920 x 1080/24p, 1920 x 1080/50p, 1920 x 1080/60p, 3840 x 2160/25p, 3840 x 2160/30p, 3840 x 2160/50p, 3840 x 2160/60p, 4096 x 2160/24p, 4096 x 2160/25p, 4096 x 2160/30p, 4096 x 2160/50p, 4096 x 2160/60p	720 x 576/50p, 720 x 480/60p, 1280 x 720/50p, 1280 x 720/60p, 1920 x 1080/50i, 1920 x 1080/60i, 1920 x 1080/24p, 1920 x 1080/50p, 1920 x 1080/60p, 3840 x 2160/24p, 3840 x 2160/25p, 3840 x 2160/30p, 3840 x 2160/50p, 3840 x 2160/60p, 4096 x 2160/24p, 4096 x 2160/25p, 4096 x 2160/30p, 4096 x 2160/50p, 4096 x 2160/60p	720 x 576/50p, 720 x 480/60p, 1280 x 720/50p, 1280 x 720/60p, 1920 x 1080/50i, 1920 x 1080/60i, 1920 x 1080/24p, 1920 x 1080/50p, 1920 x 1080/60p, 3840 x 2160/24p, 3840 x 2160/25p, 3840 x 2160/30p, 3840 x 2160/50p, 3840 x 2160/60p, 4096 x 2160/24p, 4096 x 2160/25p, 4096 x 2160/30p, 4096 x 2160/50p, 4096 x 2160/60p
Input Output (Computer / Video / Control)	HDMI x 2 (HDCP2.3) Display Port x 2 (HDCP2.3) Trigger x 2 (Mini jack, DC 12 V, Max. 100 mA) RS-232C x 1 (D-sub 9-pin (male)) LAN x 1 (RJ-45, 10BASE-T/100BASE-TX) IR IN / OUT IN: x 1, Out: x 1 (Mini jack) 3D SYNC OUT x 1 (3-pin mini-DIN (VESA 3D)) USB x 1 (Type A, DC 5 V, Max. 500 mA)	HDMI x 2 (HDCP2.2) - Trigger x 2 (Mini jack, DC 12 V, Max. 100 mA) RS-232C x 1 (D-sub 9-pin (female)) LAN x 1 (RJ-45, 10BASE-T/100BASE-TX) IR IN / OUT IN: x 1, Out: x 1 (Mini jack) - USB x 1 (Type A, DC 5 V, Max. 500 mA)	HDMI x 2 (HDCP2.2) - Trigger x 2 (Mini jack, DC 12 V, Max. 100 mA) RS-232C x 1 (D-sub 9-pin (male)) LAN x 1 (RJ-45, 10BASE-T/100BASE-TX) IR IN / OUT IN: x 1 (Mini jack) - USB x 1 (Type A, DC 5 V, Max. 500 mA)	HDMI x 2 (HDCP2.2) - Trigger x 2 (Mini jack, DC 12 V, Max. 100 mA) RS-232C x 1 (D-sub 9-pin (male)) LAN x 1 (RJ-45, 10BASE-T/100BASE-TX) IR IN / OUT IN: x 1 (Mini jack) - USB x 1 (Type A, DC 5 V, Max. 500 mA)
Picture processor	X 1 Ultimate for projector	-	-	X 1 for projector
Object-based HDR remaster	Yes	-	-	-
Dynamic HDR Enhancer	Yes	-	-	Yes
Object-based Super Resolution	Yes	-	-	-
Super Resolution	-	Yes	Yes	Yes
Dual database processing	Yes	-	-	-
Digital Contrast Optimizer	Yes	-	-	-
Digital Focus Optimizer	Yes	Yes	Yes	Yes
Dynamic contrast control	Dynamic laser control	Dual contrast control (Laser and Iris)	Dual contrast control (Laser and Iris)	Dual contrast control (Laser and Iris)
Motionflow	Yes	Yes	Yes	Yes
HDR Format	HDR10/HLG	HDR10/HLG	HDR10/HLG	HDR10/HLG
3D	Yes	Yes	Yes	Yes
Picture position memory	5	5	5	5
Input lag reduction	Yes (4K/2K)	Yes (4K/2K)	Yes (4K/2K)	Yes (4K/2K)
Acoustic noise*3	33-39 dB	30-35 dB	24 dB	24 dB
Power requirements	AC 200-240 V, 50/60 Hz, AC 100-120 V, 50/60 Hz (Brightness is dimmed.)	AC 220-240 V, 50/60 Hz (For Europe and China), AC 100-240 V, 50/60 Hz (For the other countries)	AC 100-240 V, 50/60 Hz	AC 100-240 V, 50/60 Hz
Power consumption	Max. 2.0 kW (TBD)	1.2 kW	490 W	430 W
Standby	0.4 W (when "Remote Start" is set to "Off")	0.4 W (when "Remote Start" is set to "Off")	0.4 W (when "Remote Start" is set to "Off")	0.4 W (when "Remote Start" is set to "Off")
Networked Standby	1.0 W (LAN) (when "Remote Start" is set to "On")	1.0 W (LAN) (when "Remote Start" is set to "On")	1.0 W (LAN) (when "Remote Start" is set to "On")	1.0 W (LAN) (when "Remote Start" is set to "On")
Dimensions (Without Protrusions)	W 560 x H 228 x D 760 mm (W 22 1/16 x H 8 31/32 x D 29 15/16 in)	W 550 x H 228 x D 750 mm (W 21 21/32 x H 8 31/32 x D 29 17/32 in)	W 560 x H 223 x D 496 mm (W 22 1/16 x H 8 25/32 x D 19 17/32 in)	W 496 x H 205 x D 464 mm (W 19 1/2 x H 8 3/32 x D 18 1/4 in)
Mass	Approx. 51 kg / 112 lb.	Approx. 43 kg / 95 lb	Approx. 22 kg / 49 lb	Approx. 14 kg / 31 lb
Supplied accessories	RM-PJ29 Remote Commander (1), Size AA (R6) Manganese Batteries (2), AC power Cord (1), Lens Cap (1), Plug holder (1), Safety Regulations (1)	RM-PJ24 Remote Commander (1), Size AA (R6) Manganese Batteries (2), AC power Cord (1), Lens Cap (1), Plug holder (1), Operating Instructions (CD-ROM) (1), Quick Reference Manual (1), Safety Regulations (1)	RM-PJ24 Remote Commander (1), Size AA (R6) Manganese Batteries (2), AC Power Cord (1), Lens Cap (1), Operating Instructions (CD-ROM) (1), Quick Reference Manual (1), Safety Regulations (1)	RM-PJ24 Remote Commander (1), Size AA (R6) Manganese Batteries (2), AC Power Cord (1), Lens Cap (1), Operating Instructions (CD-ROM) (1), Quick Reference Manual (1), Safety Regulations (1)
Optional accessories	VPLL-Z8008 (Short throw lens)	VPLL-Z7008 (Short throw lens)	VPLL-Z7008 (Short throw lens)	-

\*1 Display size : 16:9 \*2 The figures are expected maintenance time and not guaranteed. They will depend on the environment or how the projector is used.

\*3 Depends on the projector setting condition and usage environment.

# SPECIFICATIONS

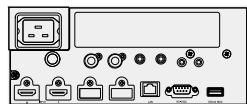
	VPL-VW590ES	VPL-VW270ES	VPL-VZ1000ES	VPL-HW65ES
Display system	4K SXRD panel, projection system	4K SXRD panel, projection system	4K SXRD panel, projection system	SXRD panel, projection system
Display device	0.74" x 3	0.74" x 3	0.74" x 3	0.61" x 3
Number of pixels	26,542,080 (4096 x 2160 x 3) pixels	26,542,080 (4096 x 2160 x 3) pixels	26,542,080 (4096 x 2160 x 3) pixels	6,220,800 (1920 x 1080 x 3) pixels
Projection lens	Powered	Powered	Powered	Manual
Focus	Powered	Powered	Powered	Manual
Zoom	Powered (Approx. x 2.06)	Powered (Approx. x 2.06)	Powered (Approx. x 1.02)	Manual (Approx. x1.6)
Lens shift	Powered, Vertical: +85 % -80 %, Horizontal: +/- 31 %	Powered, Vertical: +85 % -80 %, Horizontal: +/- 31 %	Powered, Vertical: +/- 6%, Horizontal: +/- 3%	Manual, Vertical: +/- 71%, Horizontal: +/- 25%
Throw ratio*1	1.38 : 1 to 2.83 : 1	1.38 : 1 to 2.83 : 1	-	1.36 : 1 to 2.16 : 1
Light source	High-pressure mercury lamp, 280 W type	High-pressure mercury lamp, 225 W type	Laser diode	High-pressure mercury lamp, 215 W type
Recommended lamp replacement time*2	6000 H (Lamp mode: Low)	6000 H (Lamp mode: Low)	-	6000 H (Lamp mode: Low)
Light output	1800 lm (Lamp mode: High)	1500 lm (Lamp mode: High)	2500 lm	1800 lm (Lamp mode: High)
Dynamic contrast	-	350,000 : 1	∞ : 1	120,000 : 1
Accepted digital signals	720 x 576/50p, 720 x 480/60p, 1280 x 720/50p, 1280 x 720/60p, 1920 x 1080/50i, 1920 x 1080/60i, 1920 x 1080/24p, 1920 x 1080/50p, 1920 x 1080/60p, 3840 x 2160/25p, 3840 x 2160/30p, 3840 x 2160/50p, 3840 x 2160/60p, 4096 x 2160/24p, 4096 x 2160/25p, 4096 x 2160/30p, 4096 x 2160/50p, 4096 x 2160/60p	720 x 576/50p, 720 x 480/60p, 1280 x 720/50p, 1280 x 720/60p, 1920 x 1080/50i, 1920 x 1080/60i, 1920 x 1080/24p, 1920 x 1080/50p, 1920 x 1080/60p, 3840 x 2160/25p, 3840 x 2160/30p, 3840 x 2160/50p, 3840 x 2160/60p, 4096 x 2160/24p, 4096 x 2160/25p, 4096 x 2160/30p, 4096 x 2160/50p, 4096 x 2160/60p	720 x 576/50p, 720 x 480/60p, 1280 x 720/50p, 1280 x 720/60p, 1920 x 1080/50i, 1920 x 1080/60i, 1920 x 1080/24p, 1920 x 1080/50p, 1920 x 1080/60p, 3840 x 2160/25p, 3840 x 2160/30p, 3840 x 2160/50p, 3840 x 2160/60p, 4096 x 2160/24p, 4096 x 2160/25p, 4096 x 2160/30p, 4096 x 2160/50p, 4096 x 2160/60p	720x576/50p, 720x480/60p, 1280x720/50p, 1280x720/60p, 1920x1080/50i, 1920x1080/60i, 1920x1080/24p, 1920x1080/50p, 1920x1080/60p
Input Output (Computer / Video / Control)	HDMI x 2 (HDCP2.2) Display Port - Trigger x 2 (Mini jack, DC 12 V, Max. 100 mA) RS-232C x 1 (D-sub 9-pin (male)) LAN x 1 (RJ-45, 10BASE-T/100BASE-TX) IR IN / OUT IN: x 1 (Mini jack) 3D SYNC OUT - USB x 1 (Type A, DC 5 V, Max. 500 mA)	HDMI x 2 (HDCP2.2) - Trigger x 2 (Mini jack, DC 12 V, Max. 100 mA) RS-232C x 1 (D-sub 9-pin (male)) LAN x 1 (RJ-45, 10BASE-T/100BASE-TX) IR IN / OUT IN: x 1 (Mini jack) - USB x 1 (Type A, DC 5 V, Max. 500 mA)	HDMI x 2 (HDCP2.2) - Trigger x 1 (Mini jack, DC 12 V, Max. 100 mA) RS-232C x 1 (D-sub 9-pin (male)) LAN x 1 (RJ-45, 10BASE-T/100BASE-TX) IR IN / OUT IN: x 1 (Mini jack) - USB x 1 (Type A, DC 5 V, Max. 500 mA)	HDMI x 2 (HDCP2.2) - Trigger x 1 (Mini jack, DC 12 V, Max. 100 mA) RS-232C x 1 (D-sub 9-pin (male)) LAN x 1 (RJ-45, 10BASE-T/100BASE-TX) IR IN / OUT IN: x 1 (Mini jack) - USB x 1 (Type A, DC 5 V, Max. 500 mA)
Picture processor	X 1 for projector	-	-	-
Object-based HDR remaster	-	-	-	-
Dynamic HDR Enhancer	Yes	-	-	-
Object-based Super Resolution	-	-	-	-
Super Resolution	Yes	Yes	Yes	-
Dual database processing	-	-	-	-
Digital Contrast Optimizer	-	-	-	-
Digital Focus Optimizer	Yes	-	Yes	-
Dynamic contrast control	Advanced Iris	-	Laser light control	Advanced Iris
Motionflow	Yes	Yes	Yes	Yes
HDR Format	HDR10/HLG	HDR10/HLG	HDR10/HLG	-
3D	Yes	Yes	Yes	Yes
Picture position memory	5	-	-	-
Input lag reduction	Yes (4K/2K)	Yes (4K/2K)	Yes (4K/2K)	Yes (2K)
Acoustic noise*3	26 dB	26 dB	24 dB	22 dB
Power requirements	AC 100-240 V, 50/60 Hz	AC 100-240 V, 50/60 Hz	AC 100-240 V, 50/60 Hz	AC100-240V 50/60 Hz
Power consumption	460 W	390 W	435 W	310 W
Standby	0.4 W (when "Remote Start" is set to "Off")	0.4 W (when "Remote Start" is set to "Off")	0.5 W (when "Remote Start" is set to "Off")	0.4 W (when "Remote Start" is set to "Off")
Networked Standby	1.0 W (LAN) (when "Remote Start" is set to "On")	1.0 W (LAN) (when "Remote Start" is set to "On")	0.6 W (LAN) (when "Remote Start" is set to "On")	1.0 W (LAN) (when "Remote Start" is set to "On")
Dimensions (Without Protrusions)	W 496 x H 205 x D 464 mm (W 19 1/2 x H 8 3/32 x D 18 1/4 in)	W 496 x H 205 x D 464 mm (W 19 1/2 x H 8 3/32 x D 18 1/4 in)	W 925 x H 219 x D 494 mm (W 36 13/32 x H 8 19/32 x D 19 7/16 in)	W 407.4 x H 179.2 x D 463.9 mm (W 16 1/8 x H 7 1/8 x D 18 3/8 in)
Mass	Approx. 14 kg / 31 lb	Approx. 14 kg / 31 lb	Approx. 35 kg / 77 lb	Approx. 9 kg / 20 lb
Supplied accessories	RM-PJ24 Remote Commander (1), Size AA (R6) Manganese Batteries (2), AC Power Cord (1), Lens Cap (1), Operating Instructions (CD-ROM) (1), Quick Reference Manual (1), Safety Regulations (1)	RM-PJ28 Remote Commander (1), Size AA (R6) Manganese Batteries (2), AC Power Cord (1), Lens Cap (1), Operating Instructions (CD-ROM) (1), Quick Reference Manual (1), Safety Regulations (1)	RM-PJ28 Remote Commander (1), Size AA (R6) Manganese Batteries (2), AC Power Cord (1), Plug holder (1), Top cover (1), Side covers (2), Straps for side covers (2), Rivets for side covers (2), Cleaning cloth (1), Operating Instructions (CD-ROM) (1), Quick Reference Manual (1), Safety Regulations (1)	RM-PJ28 Remote Commander (1), Size AA (R6) Manganese Batteries (2), AC Power Cord (1), Plug holder (1), Top cover (1), Side covers (2), Straps for side covers (2), Rivets for side covers (2), Cleaning cloth (1), Operating Instructions (CD-ROM) (1), Quick Reference Manual (1), Safety Regulations (1)
Optional accessories	LMP-H280 (Lamp)	LMP-H220 (Lamp)	-	LMP-H210 (Lamp)

\*1 Display size : 16:9 \*2 The figures are expected maintenance time and not guaranteed. They will depend on the environment or how the projector is used.

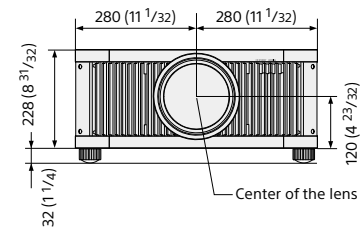
\*3 Depends on the projector setting condition and usage environment.

VPL-GTZ380

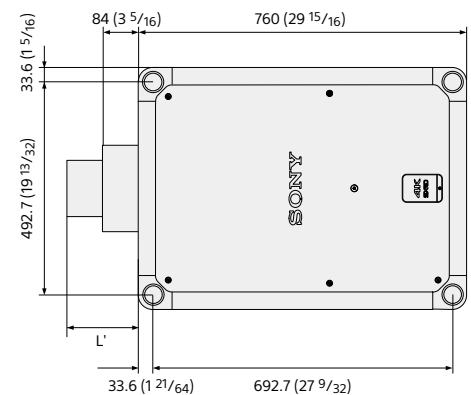
## CONNECTOR PANELS



Front



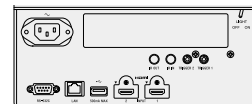
Bottom



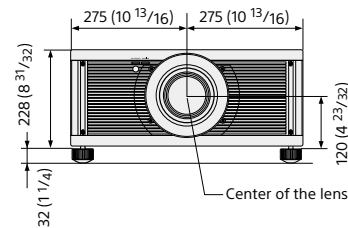
\*VPL-GTZ380  
VPLL-Z8014 (Bundled) : L' = 173 (6 13/16)  
VPLL-Z8008 (Optional) : L' = Wide 184 (7 1/4) / Tele 175 (6 7/8)

VPL-VW5000ES

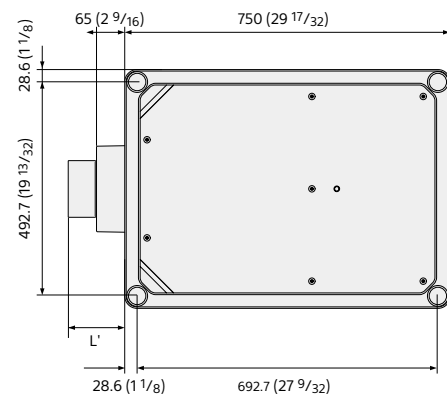
## CONNECTOR PANELS



Front



Bottom



\*VPL-VW5000ES  
VPLL-Z7013 (Bundled) : L' = 130.2 (5 1/8)  
VPLL-Z7008 (Optional) : L' = Tele 159.0 (6 1/4) / Wide 185.2 (7 9/32)

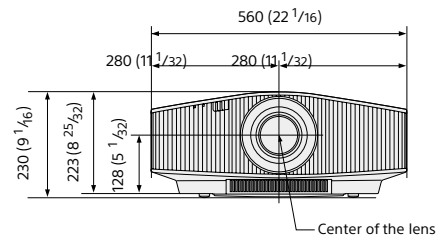
Unit : mm (inches)

VPL-VW870ES/VPL-VW790ES

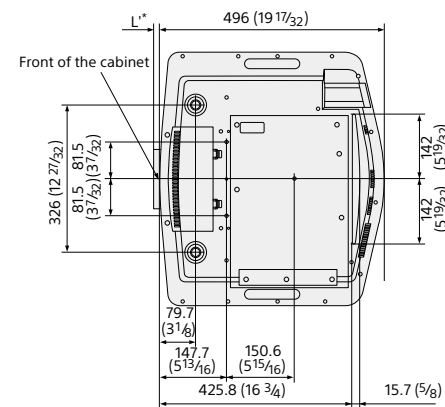
## CONNECTOR PANELS



Front



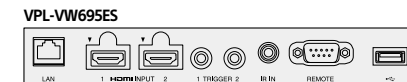
Bottom



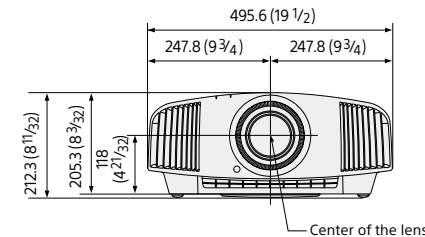
\* VPL-VW870ES only  
VPLL-Z7013 (Bundled) : L' = 9.2 (3/8)  
VPLL-Z7008 (Optional) : L' = Tele 43.4 (1 23/32) / Wide 69.5 (2 3/4)

VPL-VW590ES/VPL-VW270ES

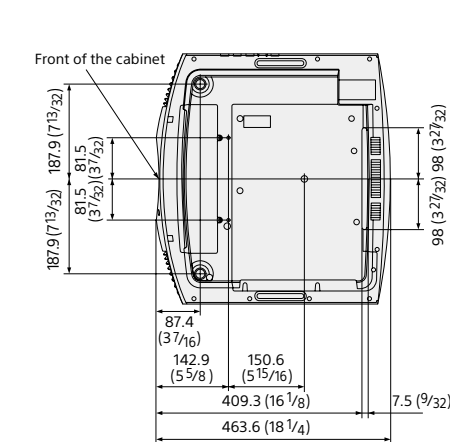
## CONNECTOR PANELS



Front

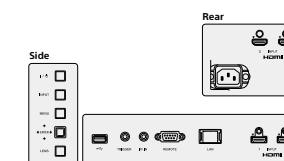


Bottom

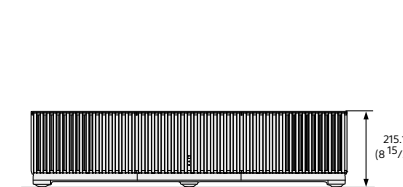


VPL-VZ1000ES

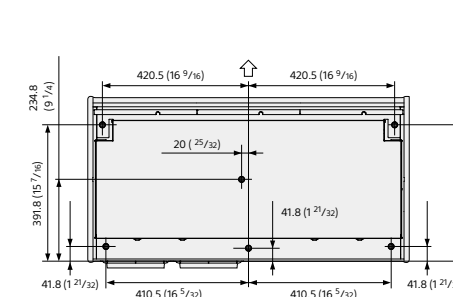
## CONNECTOR PANELS



Front



Bottom



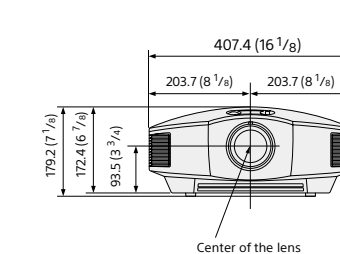
Unit : mm (inches)

VPL-HW65ES

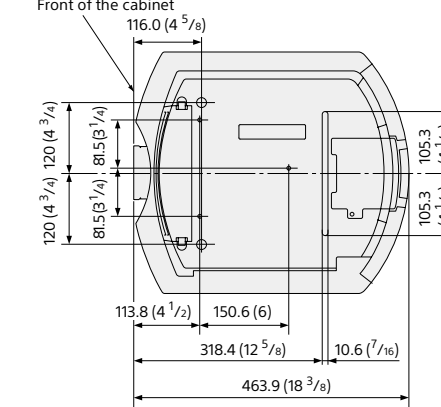
## CONNECTOR PANELS



Front



Bottom



# SONY

**Distributed by**

©2020 Sony Electronics Asia Pacific Pte Ltd. All rights reserved. Reproduction in whole or in part without written permission is prohibited. Features and specifications are subject to change without notice.  
The values for mass and dimension are approximate. "SONY" is a registered trademark of Sony Corporation.  
"SXR", "Z-Phosphor", "TRILUMINOS" and "Remote Commander" are trademarks of Sony Corporation.  
The terms HDMI and HDMI High-Definition Multimedia Interface, and the HDMI Logo are trademarks or registered trademarks of HDMI Licensing LLC in the United States and other countries.  
All other trademarks are the property of their respective owners. Please visit Sony's professional website or contact your Sony representative for specific models available in your region.

[www.pro.sony](http://www.pro.sony)